

HIAB X-CL 8



2014.04



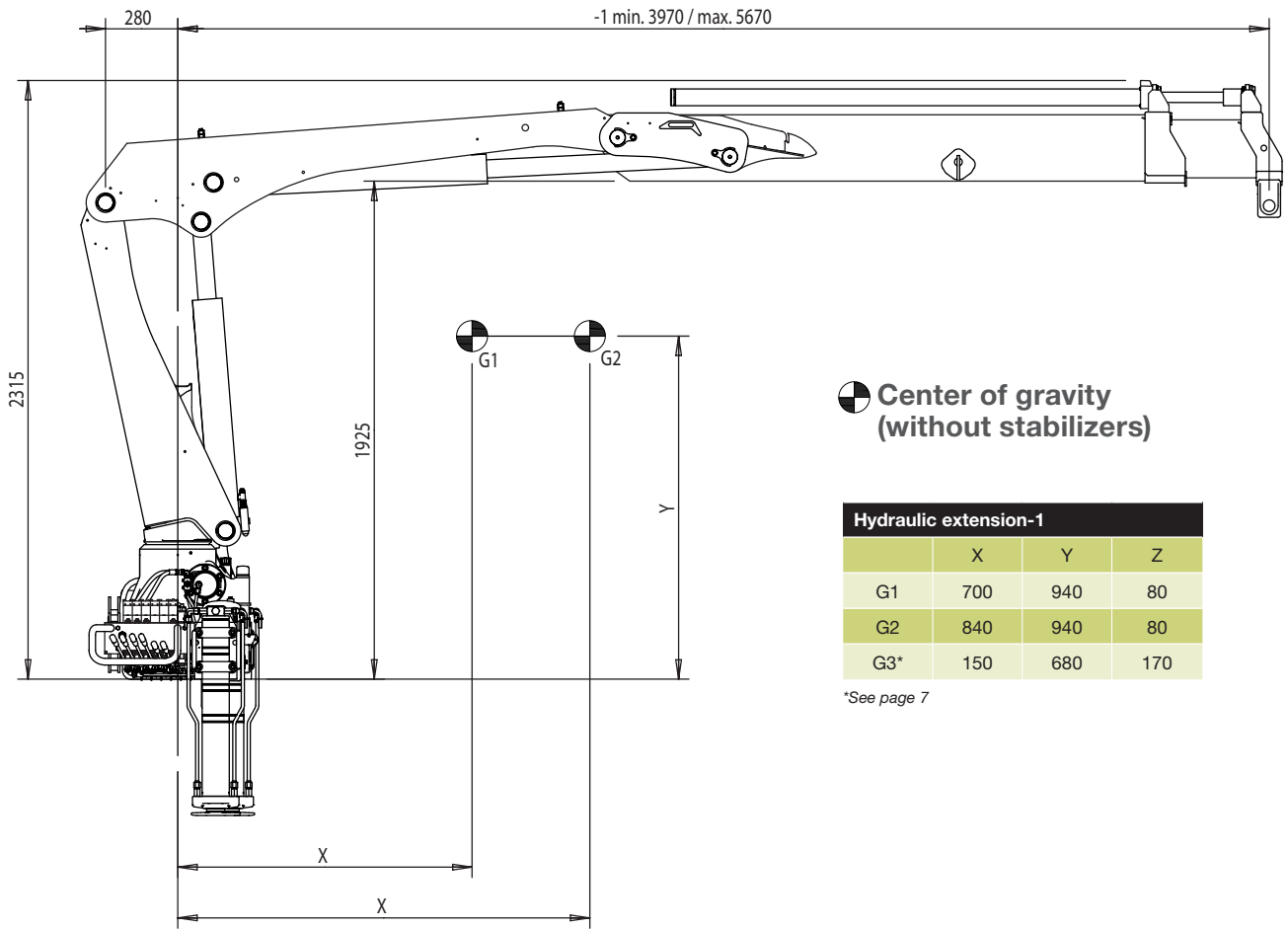
HIAB X-CL 8 TECHNICAL DATA

Technical data	8-1	8-2	8-3
Max. lifting capacity (kNm)	80	78	76
Lifting capacity (tm)	7.8	7.6	7.3
Outreach / lifting capacity, hydraulic extension (m/kg)	3.7 / 2200 3.8 / 2060 5.4 / 1460 - -	3.7 / 2020 3.8 / 1980 5.4 / 1360 7.1 / 1040 -	3.8 / 2060 3.9 / 1860 5.5 / 1260 7.2 / 940 8.9 / 760
Outreach / lifting capacity, manual extension (m/kg)	7.3 / 1040 9.2 / 780	9.1 / 760 -	- -
Outreach, hydraulic extensions (m)	5.7	7.5	9.3
Hydraulic boom extensions (m)	1.7	3.4	5.1
Outreach, manual extensions (m)	9.5	9.4	-
Lifting height above installation level (m)	-	-	-
Recommended oil flow (l/min)	20	20	20
Power needed at rec. oil flow (kW)	10.5	10.5	10.5
Max. working pressure (MPa)	31.5	31.5	31.5
Tank Capacity (l)	40	40	40
Slewing angle (°)	406	406	406
Max. slope viable at full capacity (°)	5	5	5
Slewing torque, gross (kNm)	10.7	10.7	10.7
Slewing speed (°/s)	15	15	15
Lifting speed at standard hydraulic outreach (m/s)	0.6	0.8	1.1
Height in folded position (mm)	1900	1900	1900
Width in folded position (mm)	2300* / 2360**	2300* / 2360**	2300* / 2360**
Installation space needed (mm)	685	745	745
Weight, standard version (kg)	800	900	980
Frame attachments (kg)	13 - 39	13 - 39	13 - 39
Weight, stabilizer equipment (kg)	75 - 98	75 - 98	75 - 98

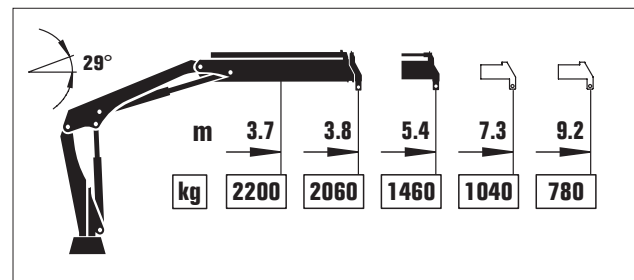
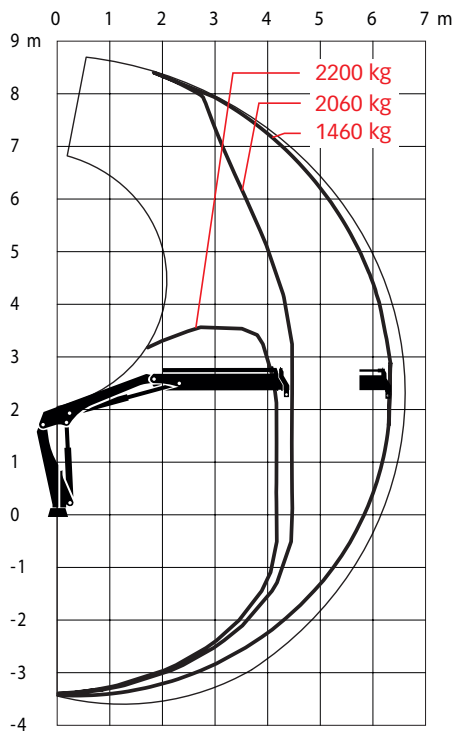
*Fixed stabilizers

**Titable stabilizers

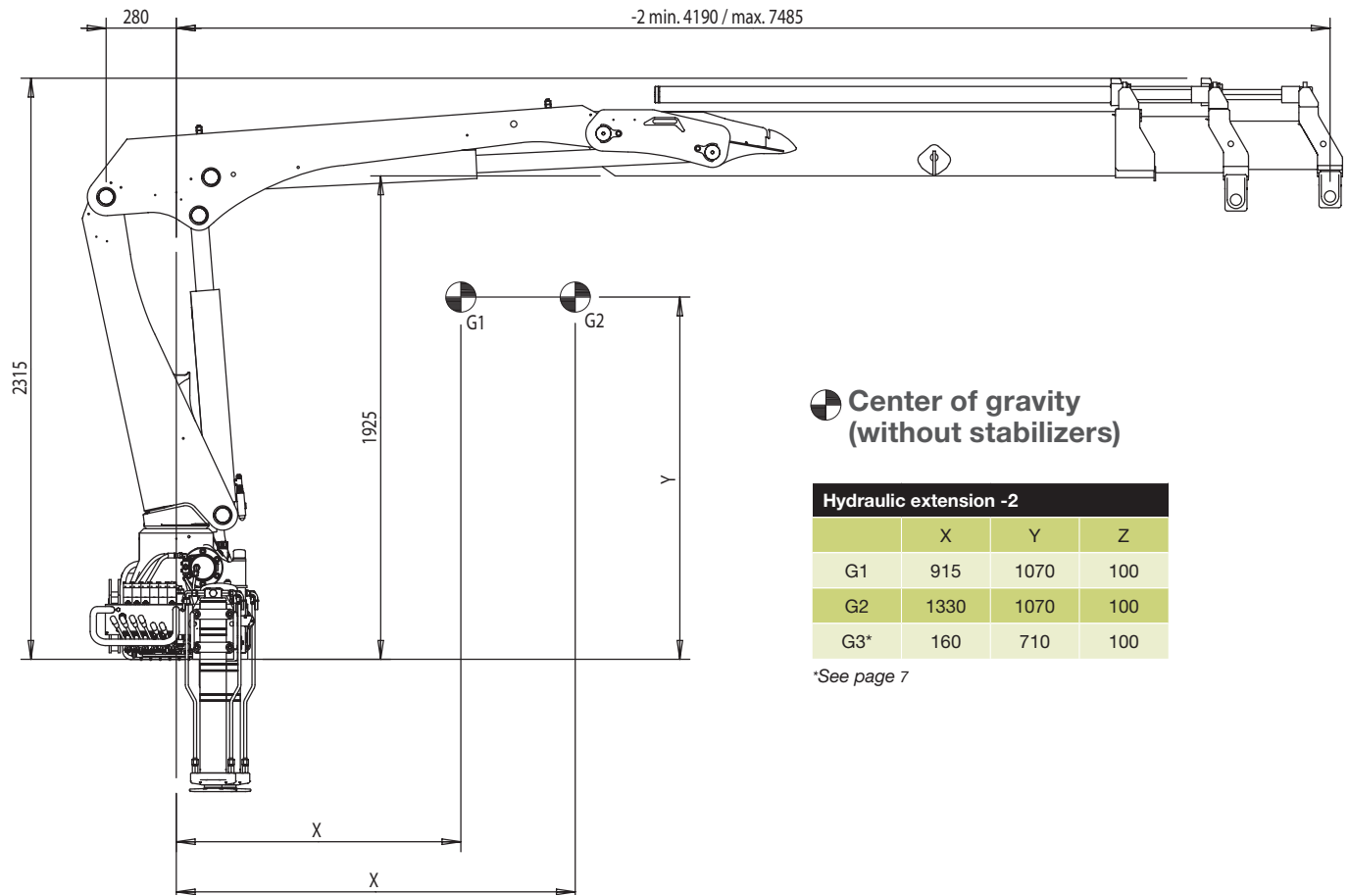
HIAB X-CL 8-1



Load diagram



HIAB X-CL 8-2

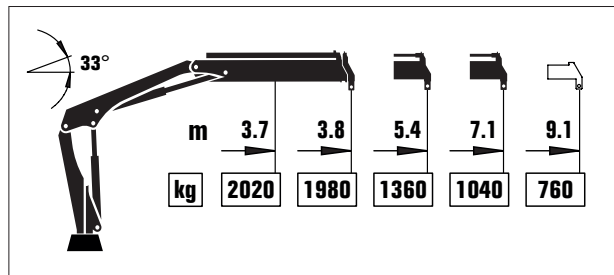
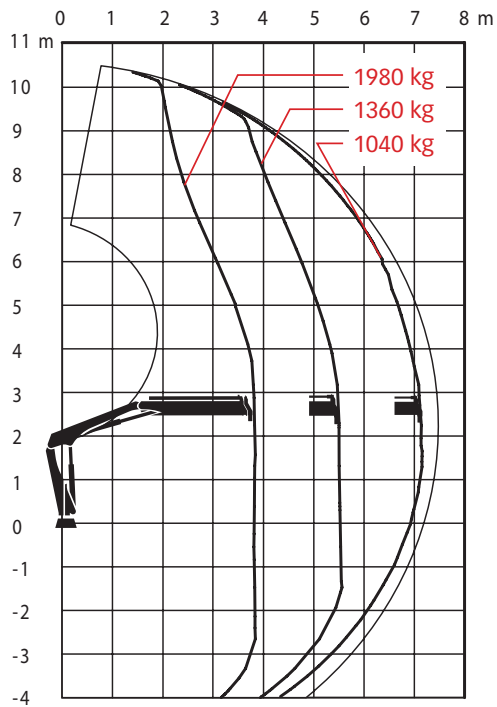


Center of gravity (without stabilizers)

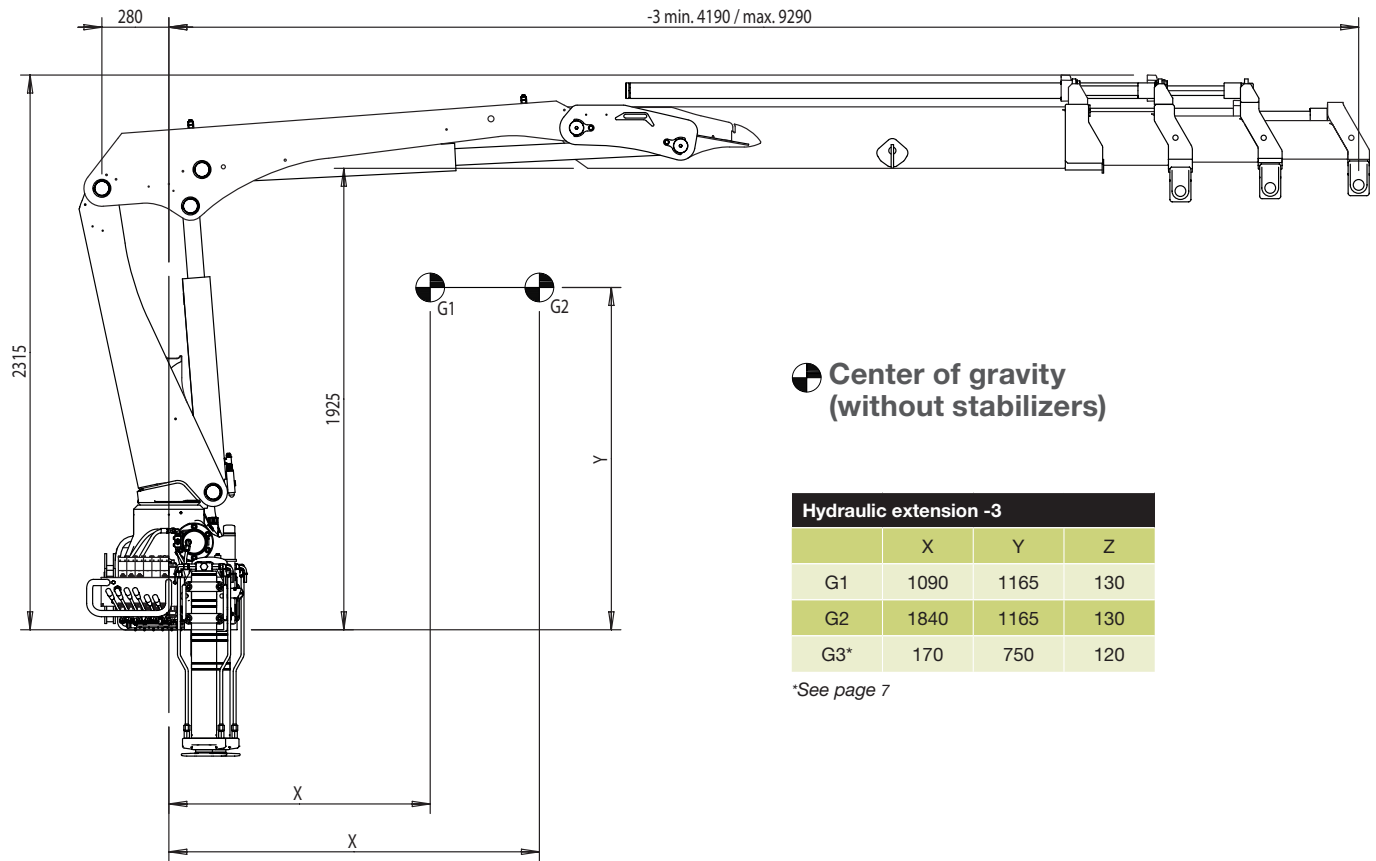
Hydraulic extension -2			
	X	Y	Z
G1	915	1070	100
G2	1330	1070	100
G3*	160	710	100

*See page 7

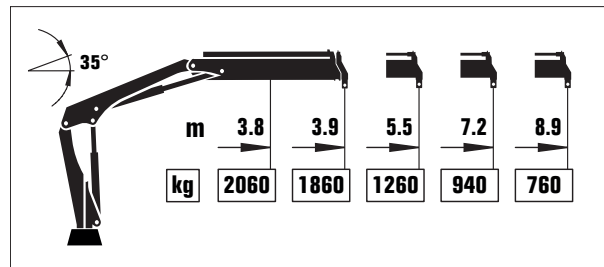
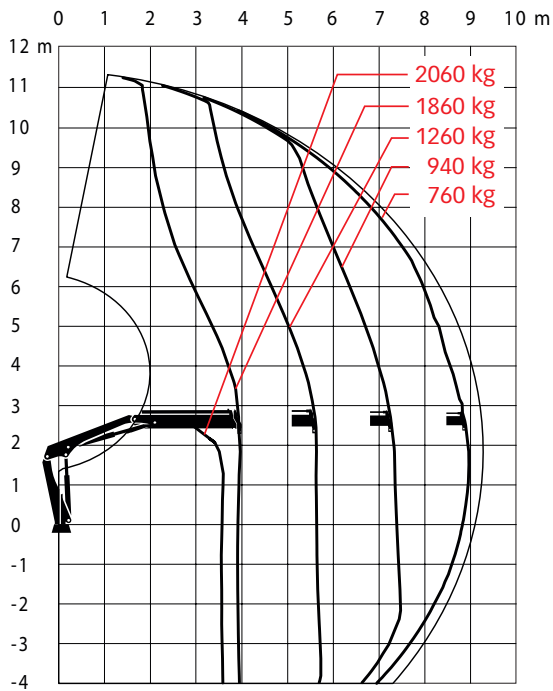
Load diagram



HIAB X-CL 8-3

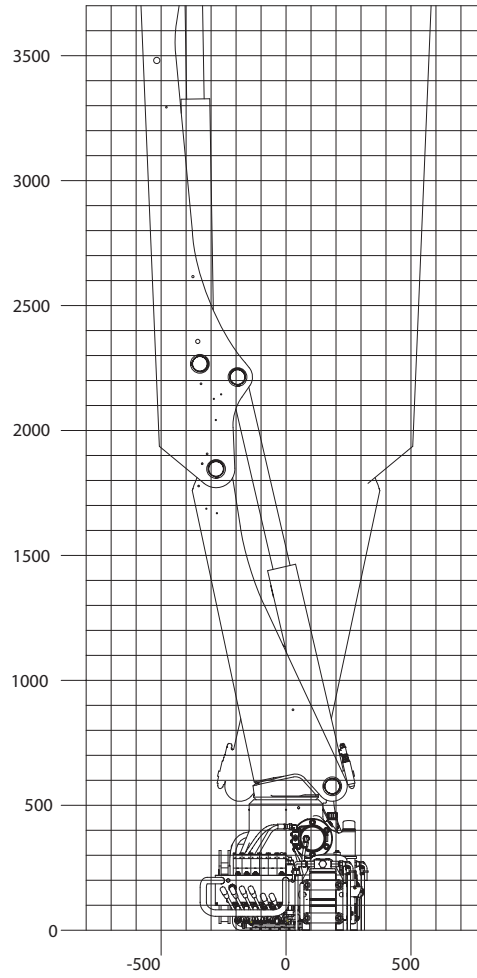
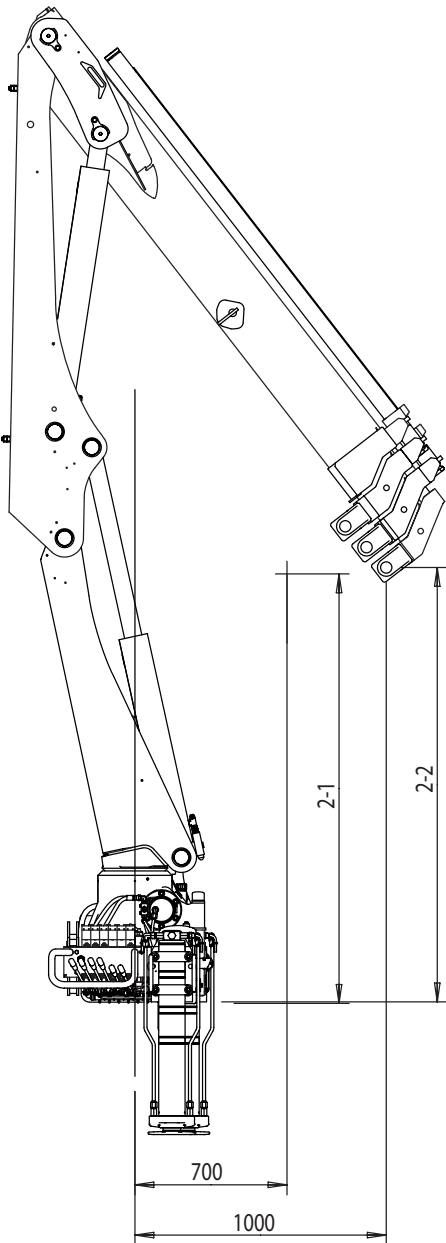


Load diagram

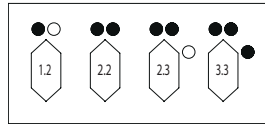


HIAB X-CL 8

Hydraulic extension	-1	-2	-3
2-1	1860	1735	1615
2-2	2075	1935	1805



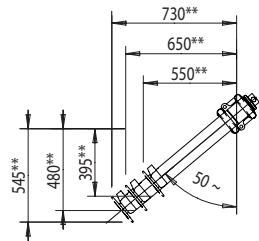
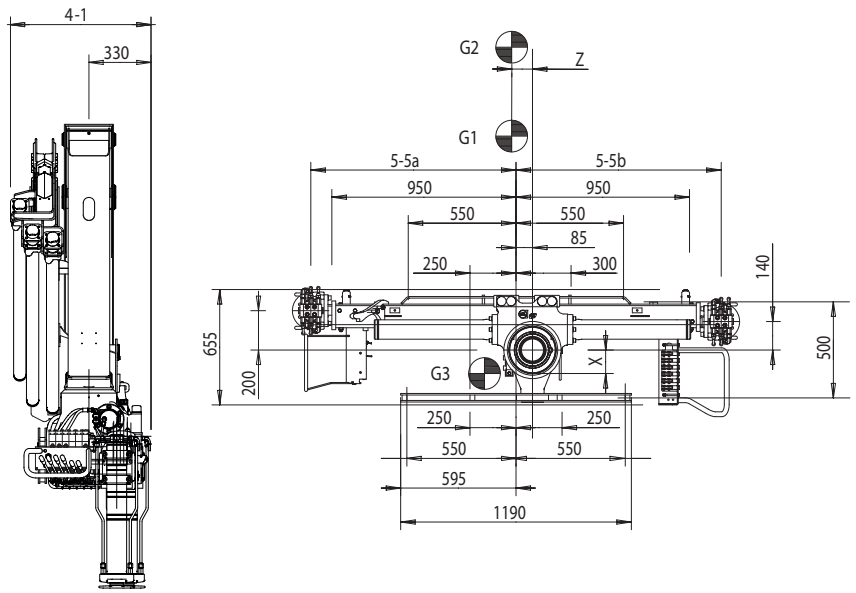
HIAB X-CL 8



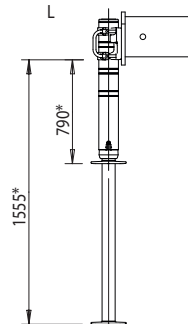
Hydraulic extension	1.2	2.2	2.3	3.3
4-1	685	685	745	745

Base	2300		
	Manual outrigger legs	Tilttable outrigger legs	
3-4	2000	2060	
3-5a/b	1150	1180	
3-7a/b	1765	1795	S
	2415	2445	M
5-5a/b	1050	1080	

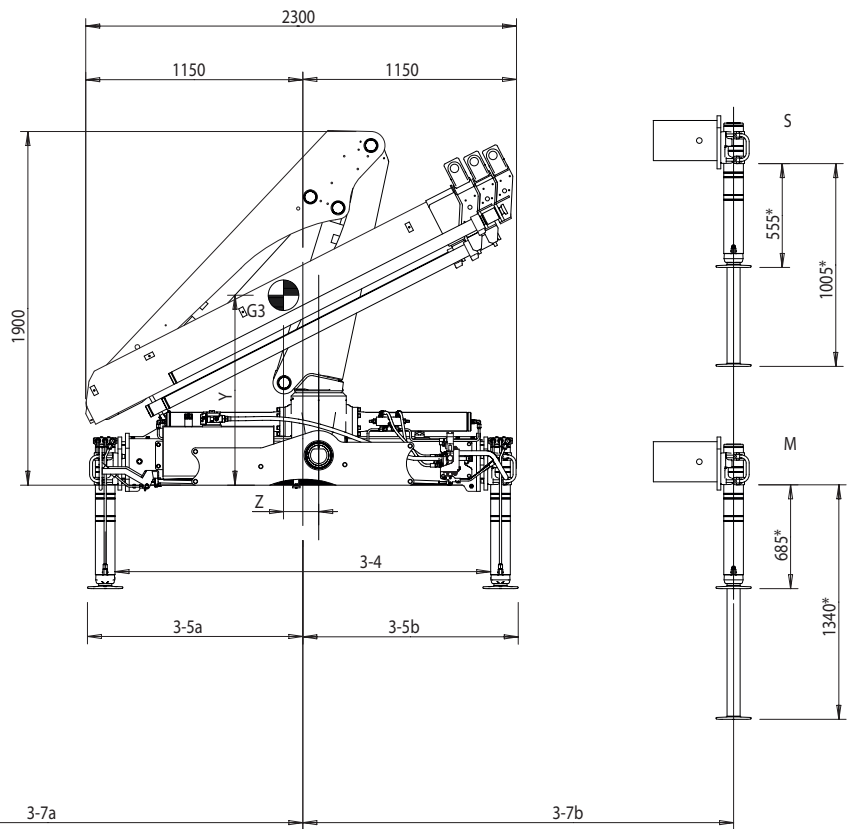
Centre of gravity			
	X	Y	Z
G1, hydraulic extension -1	700	940	80
G1, hydraulic extension -2	915	1070	100
G1, hydraulic extension -3	1090	1165	130
G2, hydraulic extension -1	840	940	80
G2, hydraulic extension -2	1330	1070	100
G2, hydraulic extension -3	1840	1165	130
G3, hydraulic extension -1	150	680	170
G3, hydraulic extension -2	160	710	100
G3, hydraulic extension -3	170	750	120



** Choice of support leg lengths



* Depends on mounting position



THE LOAD HANDLING SPECIALISTS

Hiab is the world's leading provider of on-road load handling equipment. Customer satisfaction is the first priority for us. Hiab's product range includes HIAB loader cranes, JONSERED recycling and forestry cranes, LOGLIFT forestry cranes, MOFFETT truck-mounted forklifts and MULTILIFT demountables, as well as DEL, WALTCO and ZEPRO tail lifts. www.hiab.com

Hiab is part of Cargotec. www.cargotec.com



TD-XCL8-EN-EU_140408



hiab.com