



HIAB

BUILT TO PERFORM



JG 7001
(For Platform Collection)



JG 5000
(For In Field Collection)



Advantages of Hiab Jet Grabber (JG) Crane:

- High speed hydraulic system with low pressure for longer service life & reduced maintenance cost.
- Hydraulic buffer system in boom cylinders to improve durability.
- Heavy Duty rack & pinion slewing system.
- High tensile steel with lowest weight & highest quality.

JG 7001 has additional features as follows:

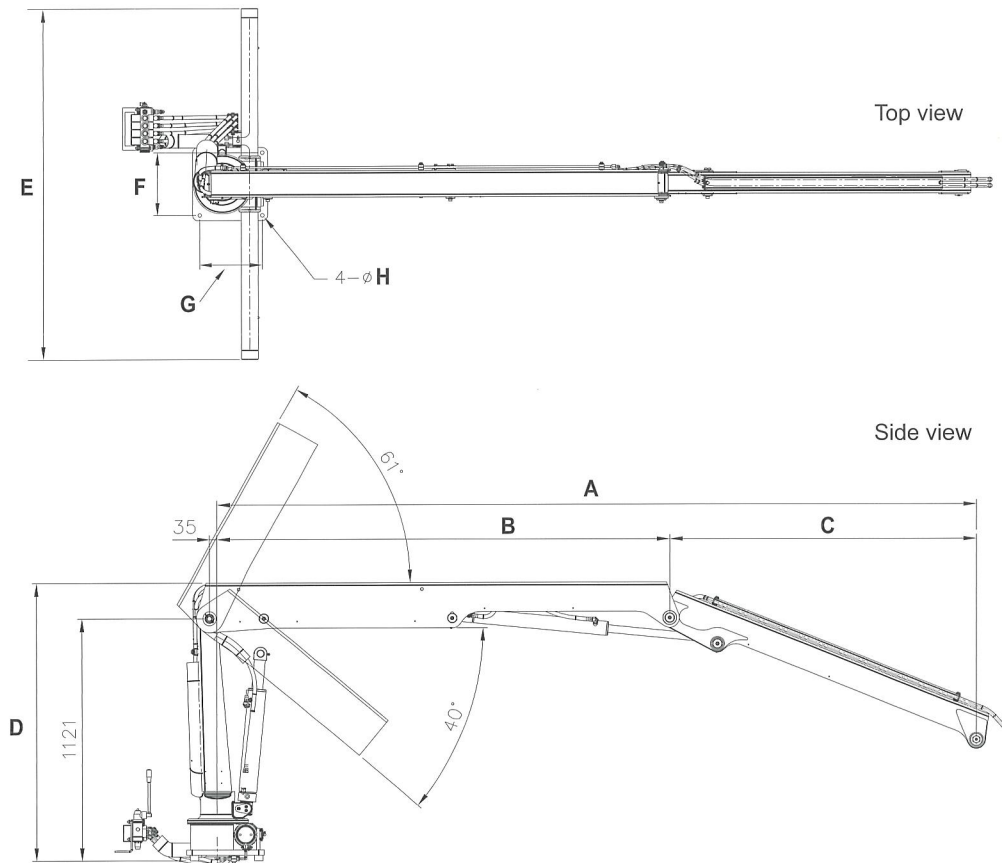
- Oil filled slewing base, no greasing required.
- Free floating function to cushion impact on joints & bushings.
- Designed with stronger column & inner boom.
- Comes with stainless steel jacket for better hose & cylinders protection.

Specification

Description	JG 5000	JG 7000	JG 7001
Lifting Capacity	0.4 ton - m	0.8 ton - m	1.0 ton - m
Max. Working Radius	2.8m	3.5m	3.8m
Outreach / Lifting Capacity	2.0m / 200kg	2.6m / 300kg	3.1m / 330kg
	2.8m / 145kg	3.5m / 210kg	3.8m / 250kg
Working Pressure	105 bar	120 bar	170 bar
Rated Oil Flow	12 l/min	15 l/min	15 l/min
Boom Lifting Speed / Angle	1m/sec.	7sec.	1.1m/sec.
	-50° ~ 51°	-40° ~ 61°	-40° ~ 61°
Slewing Angle / Speed	330°	330°	330°
	30° /sec	32° /sec	30° /sec
Type of Rack & Pinion for Slewing System	Single	Single	Single
Weight w/o Grabber	175kg	280kg	290kg

* The crane weight doesn't include the accessories weight.

Dimensional drawing



Dimensions (mm)

Model	A	B	C	D	E	F	G	H
JG 5000	2778	1665	1113	1241	1438	250	250	17
JG 7000	3500	2085	1416	1286	1705	300	300	18
JG 7001	3801	2185	1616	1286	1680	300	300	18

multico

Asia's Equipment Specialist

Multico (M) Sdn Bhd

New Co.Reg. No.197401003726 (20750-P)

No.2, Jalan P/9B, Seksyen 13, Kawasan Perindustrian Bangi,

43650 Bandar Baru Bangi, Selangor Darul Ehsan, Malaysia.

Fax : (603) 8913 6677 Email: info@mcm.multicoasia.com

Website : www.multico.com.my

Hotline : (603) 8913 6666

Branch Contact :

JB: (607) 364 5675

KK: (6088) 393 470